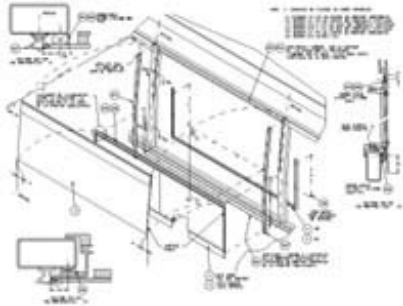


Design

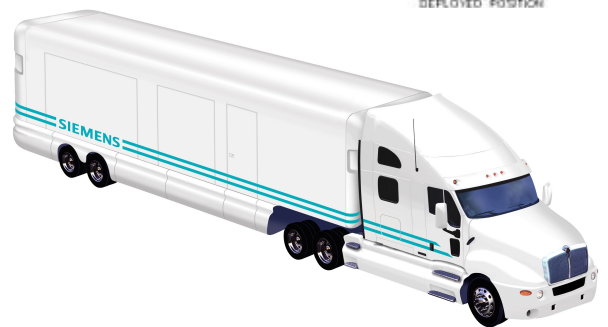
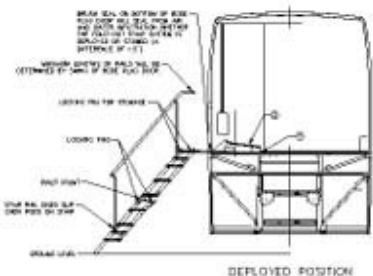
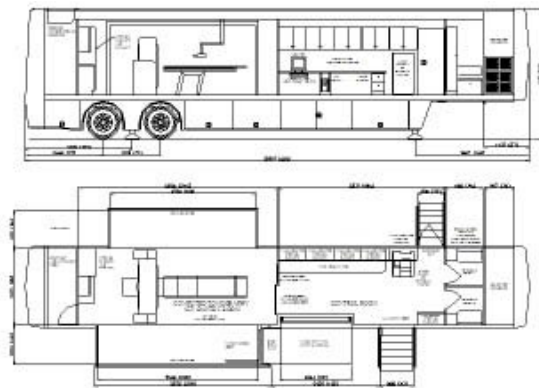
A picture's worth a thousand words!

At SVS, our experts draw the best ideas from each facet of the Specialty Vehicle industry and combine them with proven techniques to assemble the very best independent solutions for you. Your design is based completely upon your desires and requirements.



Your design is the best tool for conveying your desires. Accurate and concise documents lay the foundation for better communication, fewer mistakes, and quicker deliveries. SVS uses the latest Computer Aided Drafting (CAD) software and proven design formats to ensure your project is portrayed properly.

Design drawings dictate, among other things, the physical placement, clearances, and sizes of integrated components; which in turn dictate the completed vehicle's functionality, weight loading and ease of use.



As a full-service solutions provider, SVS can also create photo realistic renderings, concept artwork and 3-dimensional engineering.

W194 S8374 Summeridge Court
Muskego, Wisconsin 53150
P: 262.679.9096
F: 262.679.2066
info@vehiclesuccess.com

SVS
Specialty Vehicle Services, LLC